

# LED HIGH BAY LIGHT LumBAYPRO

The LumBAYPRO LED High Bay is a competitively priced, high-performance luminaire engineered to simplify specification, installation, and inventory management. Featuring field-switchable wattage and color temperature, LumBAYPRO adapts on site to meet changing project requirements—making it a smart, stocking-friendly choice for distributors, contractors, and national account programs.

With over 13 configurable options, including multiple mounting and control solutions, LumBAYPRO delivers exceptional flexibility for warehouses, distribution centers, manufacturing facilities, gymnasiums, and retail back-of-house spaces. Its versatile design enables a single luminaire platform to cover virtually all high bay lighting applications, making it an ideal solution for both new construction and retrofit projects.

Built for performance and value, LumBAYPRO combines proven LED technology, efficient thermal management, and durable construction to deliver consistent light output and long service life—while remaining budget-friendly for large-scale deployments.



## FEATURES

### CONSTRUCTION

- Cast aluminum body
- Easy maintenance replaceable driver
- Adjustable wattage and color temp
- Standard 6KV Surge Protection
- 0-10v Dimming Driver • 80+ CRI • Hook Mounting Standard

### LISTING

- UL and cUL Listed
- DLC Listed Premium
- Damp location rating
- 5-Year Warranty

### HOUSING

- Integrated heatsink cooling fins
- Unsurpassed thermal dissipation extending lifetime fixture performance
- Easy access

### FINISH

- UV stabilized powder coated finish
- White Finish Standard

### LENS

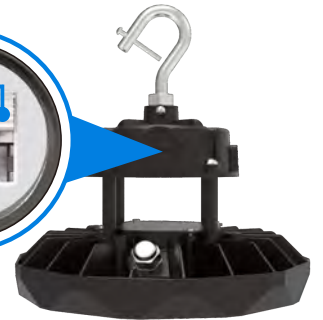
- High Impact Polycarbonate lens
- Type V optics standard

### OPTIONS

- Alternative 347v driver
- Bi-Level Motion Sensor
- Acrylic and Aluminum Reflectors
- Flat or Conical Drop Glass Lenses
- Wire Guards

**3 WATTAGE ADJUSTABLE**  
150 / 125 / 100W

**3 CCT ADJUSTABLE**  
5000K / 4500K / 4000K



## SPECIFICATIONS

<b>Lumen Package (LM):</b>	Up to 22035 lumens
<b>Wattage Range (W):</b>	Up to 150 watts
<b>Efficacy Range (LPW):</b>	Up to 146.6 LPW
<b>Product Weight:</b>	5.6LBS
<b>Carton LBS:</b>	1.9LBS / 1.8LBS

*Specialized expertise and focus on ESCOs, national accounts and distributor partnerships*  
*Call 866-458-6372 for assistance.*

## ORDERING GUIDE



Series	Wattage	CCT	Distribution
<b>LB</b> LumBAYPRO	<b>084</b> 40/60/84 watts <b>150</b> 100/125/150 watts	<b>A</b> 4000/4500/5000K	<b>5</b> Type V

Voltage	Mounting	Color	Controls-Options
<b>U</b> Universal 120-277V <b>H</b> High Voltage 480V	<b>H</b> Hook Mount	<b>WH</b> White (Std.) <b>BK</b> Black <sup>1</sup>	<b>OC</b> Occupancy PIR Sensor <b>EM</b> Field Installed IP65 Emergency Kit <b>OH</b> O Hook <b>PA</b> 3/4" Pendant Adapter <b>ARW</b> 16" Aluminum Refractor White <b>ARG</b> 16" Aluminum Refractor Gloss <b>ARC</b> 16" Acrylic Refractor Clear <b>ARM</b> 16" Acrylic Refractor White <b>FG</b> 16" Flat Glass and Band Clamp <b>WG</b> 16" Wire Guard <b>CG</b> 16" Conical Glass with Clamp <b>DL</b> 16" Drop Lens with Clamp

Footnote: 1 Contact Factory

## OPTIONS



Bi-Level Motion Sensor



O-Hook



3/4" Pendant Adapter



Field Installed  
IP65 Emergency Kit

*Specialized expertise and focus on ESCOs, national accounts and distributor partnerships*  
*Call 866-458-6372 for assistance.*

## ACCESSORIES



**FG** 16" Flat Glass and Band Clamp Pendant Adaptor

**ARW** 16" Aluminum Refractor White

**ARG** 16" Aluminum Refractor Gloss

**ARC** 16" Acrylic Refractor Clear

**ARM** 16" Acrylic Refractor Matte



**FG** 16" Flat Glass and Band Clamp

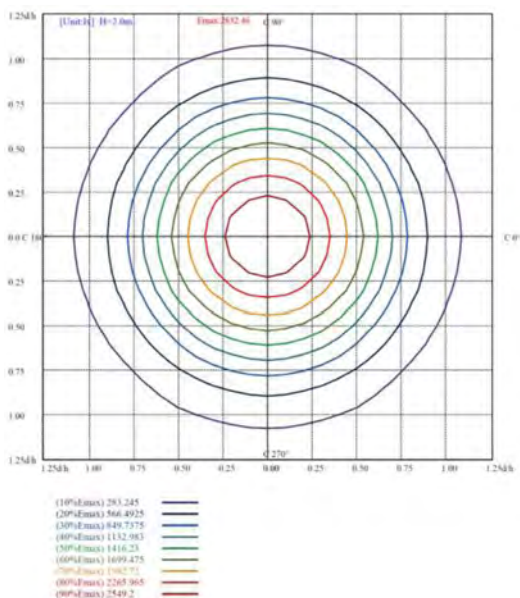
**WG** 16" Wire Guard

**CG** 16" Conical Drop Lens with Band Clamp

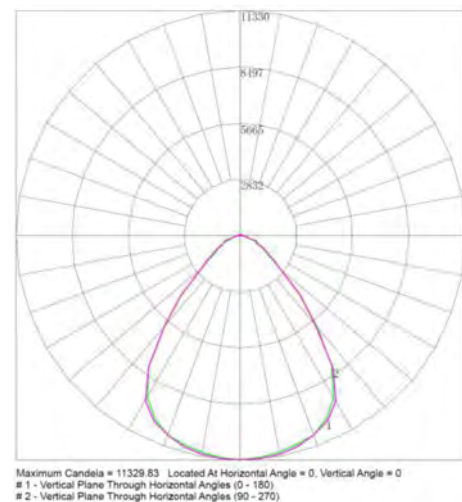
**DL** 16" Drop Lens with Band Clamp

## DISTRIBUTION

**ISO illuminance diagram(Lux) of 4000K**



**Polar Curves of 4000K**



*Specialized expertise and focus on ESCOs, national accounts and distributor partnerships*  
 Call 866-458-6372 for assistance.

## PERFORMANCE DATA

PERFORMANCE DATA			4000K					4500K					5000K				
Lumen Package	Distribution	CRI	Delivered Lumens	Efficacy (LPW)	BUG Rating			Delivered Lumens	Efficacy (LPW)	BUG Rating			Delivered Lumens	Efficacy (LPW)	BUG Rating		
					B	U	G			B	U	G			B	U	G
<b>40 watts</b>	5 Type V	80	6055	149	4	3	1	8933	145	4	3	1	11607	139.41	4	3	1
<b>60 watts</b>	5 Type V	80	6533	165.61	4	3	1	9639	161.17	4	3	1	12524	154.85	4	3	1
<b>84 watts</b>	5 Type V	80	6332	156.76	4	3	1	9342	152.56	4	3	1	12138	146.58	4	3	1
<b>100 watts</b>	5 Type V	80	13937	137.71	4	3	1	15114	153.91	4	3	1	14008	138.17	4	3	1
<b>125 watts</b>	5 Type V	80	16668	133.13	4	3	1	18076	148.8	4	3	1	16753	133.58	4	3	1
<b>150 watts</b>	5 Type V	80	20320	131.22	4	3	1	22035	146.67	4	3	1	20423	131.67	4	3	1

## LUMEN MAINTENANCE TESTING DATA

LUMINAIRE AMBIENT TEMPERATURE FACTOR(LATF)		
Ambient Temp		Lumen Multiplier
(°C)	(°F)	
0°C	32°F	/
10°C	50°F	/
20°C	68°F	/
30°C	77°F	99%
40°C	86°F	98%
50°C	104°F	97%

*Specialized expertise and focus on ESCOs, national accounts and distributor partnerships*  
Call 866-458-6372 for assistance.

## ELECTRICAL DATA

Nominal Wattage	Input Voltage	Current Amps	Nominal Wattage	Input Voltage	Current Amps
40 watts	120	0.33	100 watts	120	0.83
	208	0.19		208	0.48
	240	0.17		240	0.42
	277	0.14		277	0.36
	347	0.12		347	0.29
	480	0.08		480	0.21
60 watts	120	0.50	125 watts	120	1.04
	208	0.29		208	0.60
	240	0.25		240	0.52
	277	0.22		277	0.45
	347	0.17		347	0.36
	480	0.13		480	0.26
84 watts	120	0.70	150 watts	120	1.25
	208	0.40		208	0.72
	240	0.35		240	0.63
	277	0.30		277	0.54
	347	0.24		347	0.43
	480	0.18		480	0.31

## SENSOR OPERATIONS

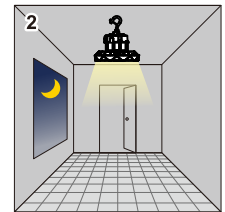
### Functions and Options

It offers 2 levels of light control: 100% brightness and dimming levels (0%, 25%, 50%, 75%); selectable time delay and adjustable detection area.

1. Plug in and switch on the LED lamp. The lamp will operate at 100% brightness.
2. After the warm-up time, the lamp will illuminate at 0-75% brightness according to your preset dim level (0%, 25%, 50%, 75%).
3. If motion is detected, the lamp will stay on at 100% brightness.
4. After the preset time delay (3 min / 10 min / 30 min / 1 hour):
  - a. If no motion is detected, the lamp will dim down to 0-75% brightness according to your preset level.
  - b. If motion is detected, the lamp will remain on at 100% brightness.



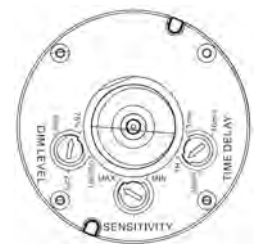
The light switches on at 100% when there is movement detected



The light dims to DIM LEVEL (75%, 50%, 25%, 0%) after the TIME DELAY

### OPERATION

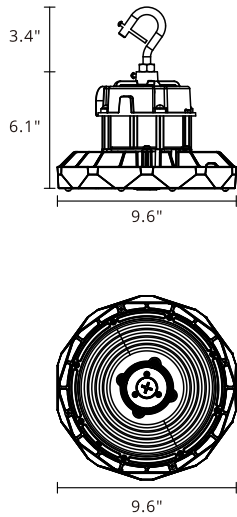
1. SENSITIVITY: Adjusts detection range. Turn clockwise to increase, anti-clockwise to decrease. Detection range is 1m at "MIN" and 8m at "MAX".
2. TIME DELAY: Sets the hold time (duration the light remains at 100% brightness after last motion detection). Selectable duration: 3 min / 10 min / 30 min / 1 hour.
3. DIM LEVEL: Sets the standby dimming level to 0% / 25% / 50% / 75% of full output. Setting "DIM LEVEL" to 0% means the light turns fully off when vacant.



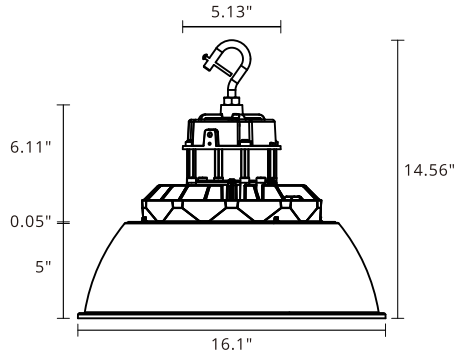
*Specialized expertise and focus on ESCOs, national accounts and distributor partnerships*  
*Call 866-458-6372 for assistance.*

## DIMENSIONS

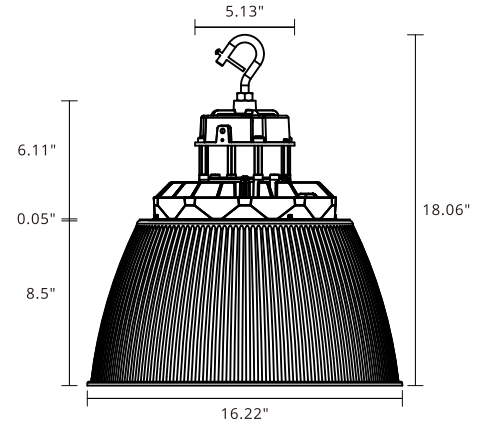
**LumBAYPRO 84w to 150w**



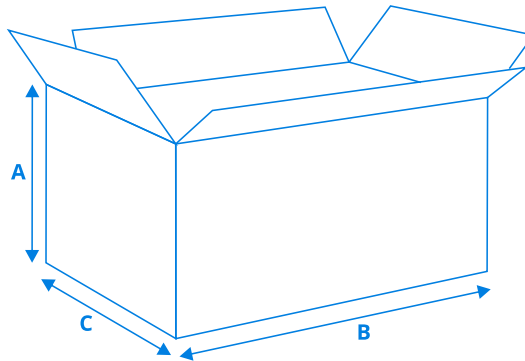
**LumBAYPRO 84w to 150w  
With ARW/ARG**



**LumBAYPRO 84w to 150w  
With ARC/ARM**



## CARTON DIMENSIONS



Weights	Master Carton				
	Carton Pack	Total Weight LBS	Height A	Width B	Depth C
Fixture Size					
40-84 watts	1pc/ctn	7.5	7 7/8"	13"	13"
100-150 watts					

*Specialized expertise and focus on ESCOs, national accounts and distributor partnerships  
Call 866-458-6372 for assistance.*