

# LED WALL SCONCE LumCURVE

The LumCURVE is a sleek, curved profile LED wall sconce that delivers powerful outdoor illumination with architectural appeal.

With field-adjustable wattage and color temperature, delivering on-site flexibility to meet a wide range of project requirements with style, strength, and performance in one streamlined package.

Designed for quick and easy installation and engineered to meet the demands of exterior building and wall pack applications, the LumCURVE LED Wall Sconce offers exceptional versatility for both new construction and retrofit projects. Its adaptable design makes it a smart, stocking-friendly solution for distributors, ESCOs, and national account programs.

## FEATURES

### CONSTRUCTION

- Cast aluminum body with corrosion-resistant hardware
- Quickly separate driver from LED module for easy maintenance.
- Adjustable wattage and color temp via easy access dip switch
- Standard 6KV Surge Protection
- 0-10v Dimming Driver
- 80+ CRI

### LISTING

- UL and cUL Listed
- Wet location rating
- Full Cutoff
- DLC Listed Premium
- 5-Year Warranty

### HOUSING

- Die cast aluminum body
- Easy installation with quick wall mount plate

### FINISH

- UV stabilized powder coated finish
- Bronze Finish standard

### LENS

- High Impact Polycarbonate lens
- Type IV optics standard

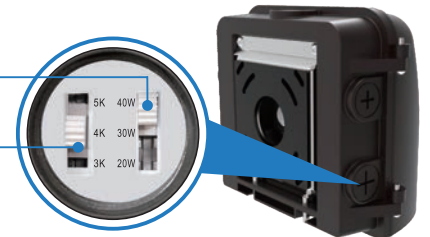
### OPTIONS

- Photo Control
- Emergency Battery Backup - 4 watts



**3 WATTAGE ADJUSTABLE**  
40 / 30 / 20W

**3 CCT ADJUSTABLE**  
5000K / 4000K / 3000K



## SPECIFICATIONS

<b>Lumen Package (LM):</b>	Up to 5828 lumens
<b>Wattage Range (W):</b>	20 to 40 watts
<b>Efficacy Range (LPW):</b>	Up to 146 LPW
<b>Product Weight LBS:</b>	3.87
<b>Carton LBS:</b>	1.67

*Specialized expertise and focus on ESCOs, national accounts and distributor partnerships*  
*Call 866-458-6372 for assistance.*

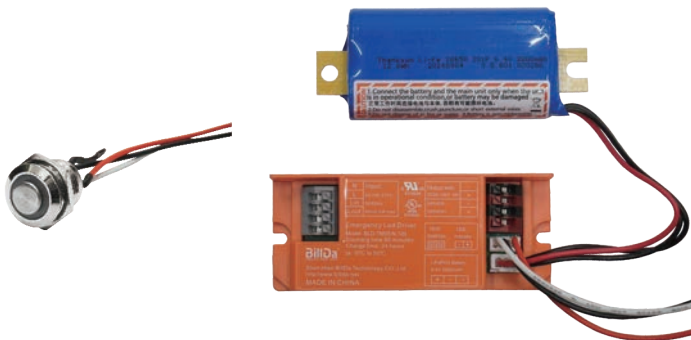
## ORDERING GUIDE



Series	Wattage	CCT	Distribution
<b>LC</b> LumCURVE	<b>A</b> 20/30/40 watts	<b>A</b> 3000 / 4000 / 5000	<b>4</b> Type IV

Voltage	Mounting	Color	Controls-Options
<b>U</b> Universal 120-277v	<b>W</b> Wall	<b>BZ</b> Bronze <b>AL</b> Aluminum	<b>PC</b> Photo Control <b>EM</b> Emergency Battery

## OPTIONS



**Emergency Battery Backup**

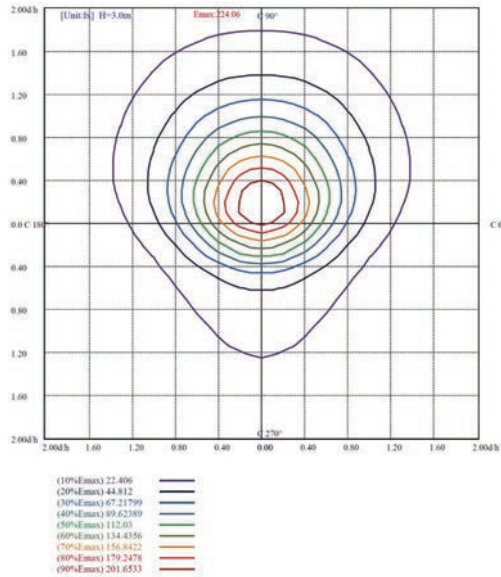


**Photocontrol Switch**

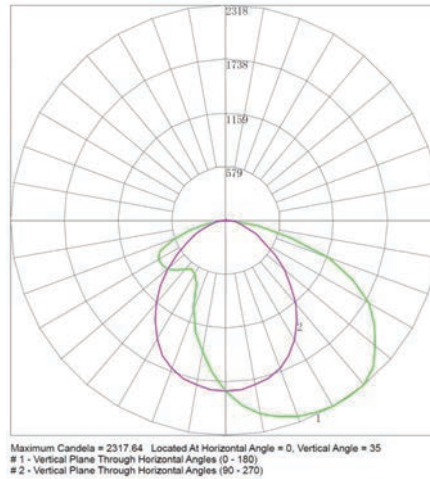
*Specialized expertise and focus on ESCOs, national accounts and distributor partnerships  
Call 866-458-6372 for assistance.*

## DISTRIBUTION

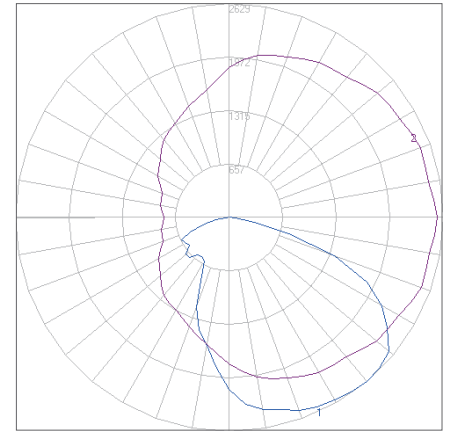
ISO illuminance diagram(Lux) of 3000K



Polar Curves of 3000K



Type IV DISTRIBUTION



## PERFORMANCE DATA

PERFORMANCE DATA			3000K			4000K			5000K								
Lumen Package	Distribution	CRI	Delivered Lumens	Efficacy (LPW)	BUG Rating			Delivered Lumens	Efficacy (LPW)	BUG Rating			Delivered Lumens	Efficacy (LPW)	BUG Rating		
					B	U	G			B	U	G			B	U	G
20 watts	4 Type IV	80	3154	150	1	1	1	3260	163	1	1	1	3234	154	1	1	1
30 watts	4 Type IV	80	4557	145	1	2	1	4800	160	1	2	1	4725	150	1	2	1
40 watts	4 Type IV	80	5542	138	2	2	1	5978	157	1	2	2	5828	146	1	2	2

Specialized expertise and focus on ESCOs, national accounts and distributor partnerships  
 Call 866-458-6372 for assistance.

## LUMEN MAINTENANCE TESTING DATA

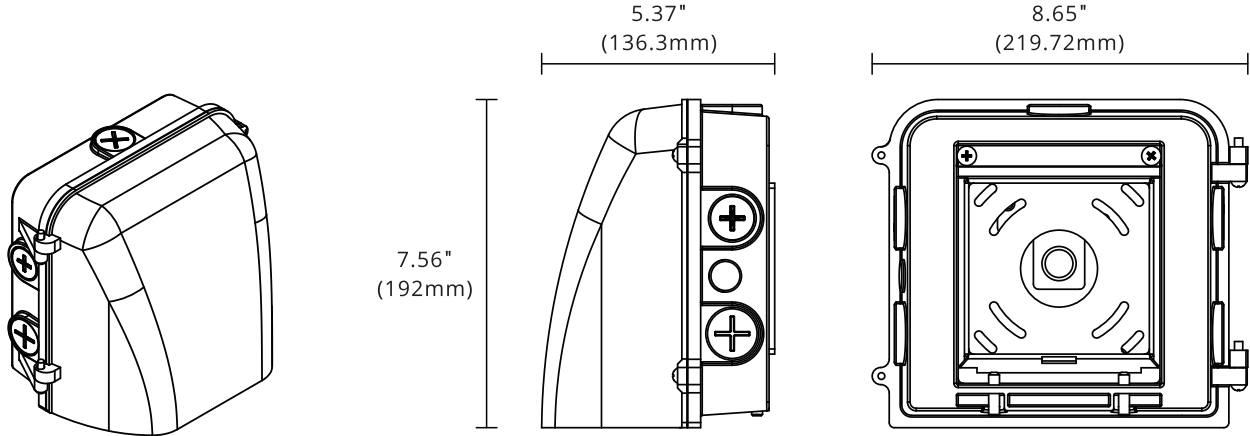
LUMINAIRE AMBIENT TEMPERATURE FACTOR(LATF)		
Ambient Temp		Lumen Multiplier
(°C)	(°F)	
0°C	32°F	100.2%
10°C	50°F	100.1%
20°C	68°F	100%
30°C	77°F	99.9%
40°C	86°F	99.8%

## ELECTRICAL DATA

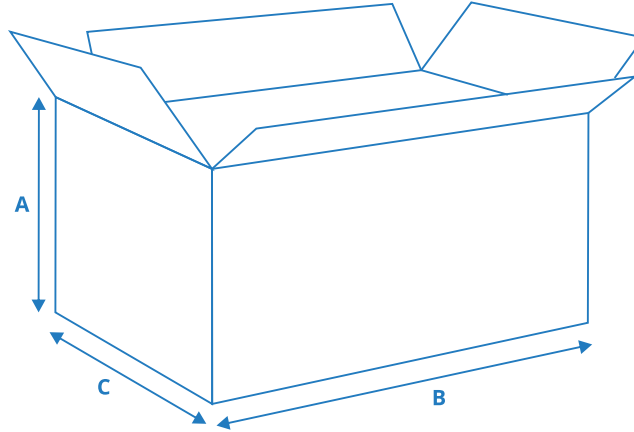
Nominal Wattage	Input Voltage	Current Amps
<b>20 watts</b>	120	0.1667
	208	0.0962
	240	0.0833
	277	0.0722
<b>30 watts</b>	120	0.25
	208	0.1442
	240	0.125
	277	0.1083
<b>40 watts</b>	120	0.3333
	208	0.1923
	240	0.1667
	277	0.1444

*Specialized expertise and focus on ESCOs, national accounts and distributor partnerships*  
 Call 866-458-6372 for assistance.

## DIMENSIONS



## CARTON DIMENSIONS



Weights	Inner Carton				Master Carton				
	Total Weight LBS	Height A	Width B	Depth C	Carton Pack	Total Weight LBS	Height A	Width B	Depth C
Fixture Size									
20/30/40 watts	5.55	6 1/8"	9 1/8"	8 1/2"	6pcs/ctn	33.3	13 5/8"	26 7/8"	9 5/8"

*Specialized expertise and focus on ESCOs, national accounts and distributor partnerships*  
Call 866-458-6372 for assistance.